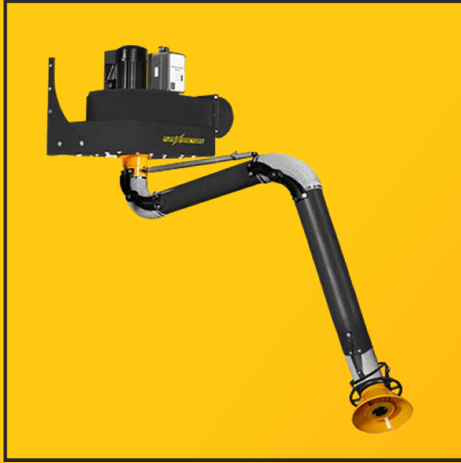


FX-WM-2HP-1PH-115V

2HP Wall Mounted Fume Extractors



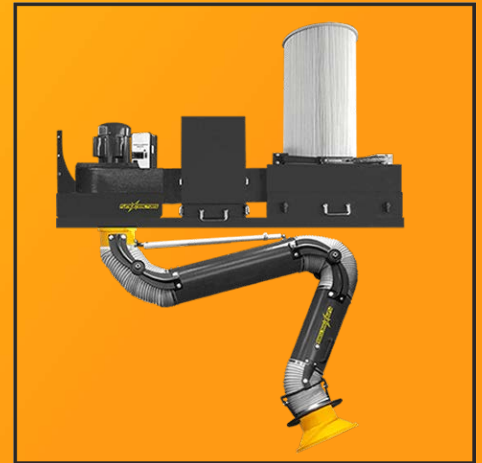
Wall Mounted Fume Extractors provide ultimate flexibility for removing fumes and dust from the work environment. Designed to remove contaminants, the FX-WM models combine a high efficiency motor and powerful aluminum propeller to increase CFM at the extraction point.



Blower



Shown with cartridge filter



Shown with cartridge filter and spark trap

Features

- ✓ Heavy gauge, powder coated steel shell
- ✓ Multiple configuration options
- ✓ 1.5x the suction distance compared to leading competitors
- ✓ UL approved, push-button control box
- ✓ Mounting bracket included

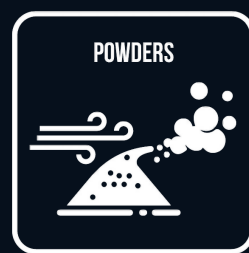
Technical Data

Airflow	1600 CFM
Motor	2 H.P.
Input Power	115v/1/60Hz
Gross Weight	209 lbs
Net Weight	145 lbs
Dimensions	32" x 23" x 20"
Shipping Dims.	37" x 30" x 28"
Arm Diameter Options	(1) 6" or 8" arm (2) 6" or 8" arms

Options

- ✓ Cartridge After Filter
- ✓ Spark Trap

Applications



Contact an Expert

☎ (866) 651-9762

✉ info@fumextractors.com

ACS
Air Cleaning Specialists, Inc.